

THIS DRAWING IS UNPUBLISHED.

RELEASED FOR PUBLICATION

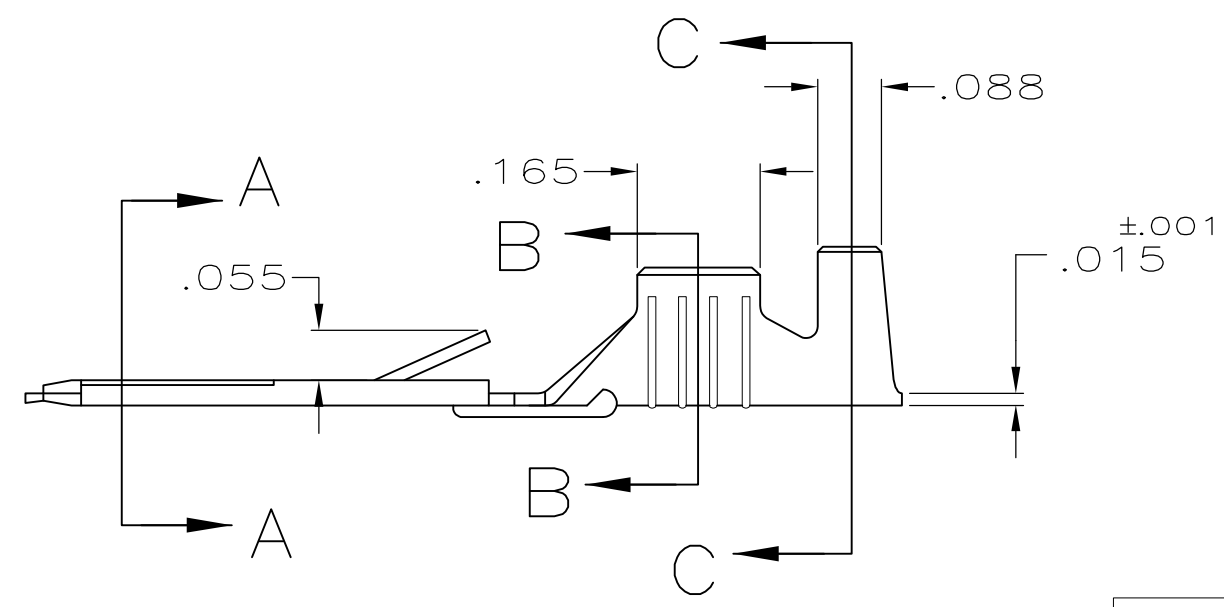
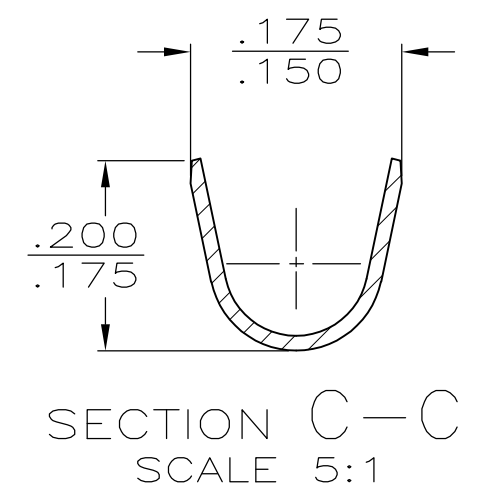
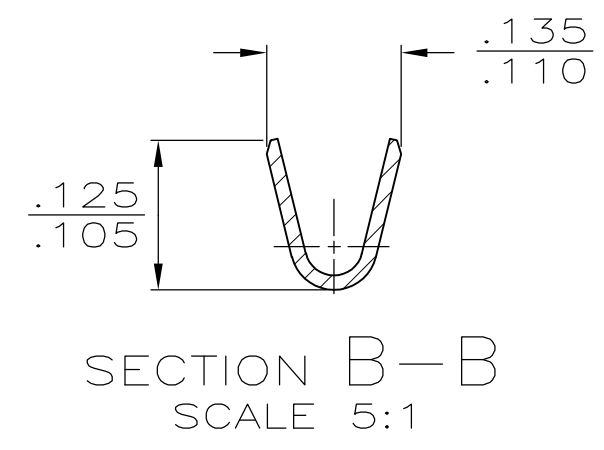
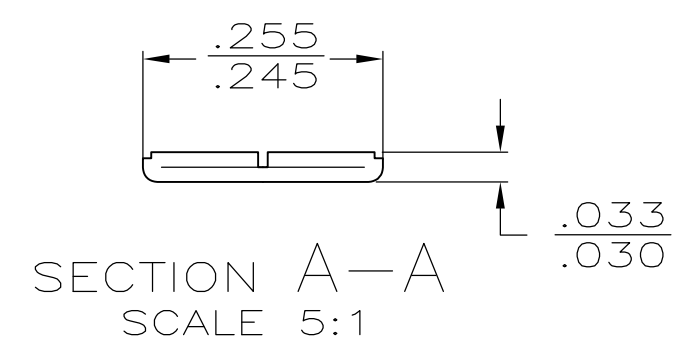
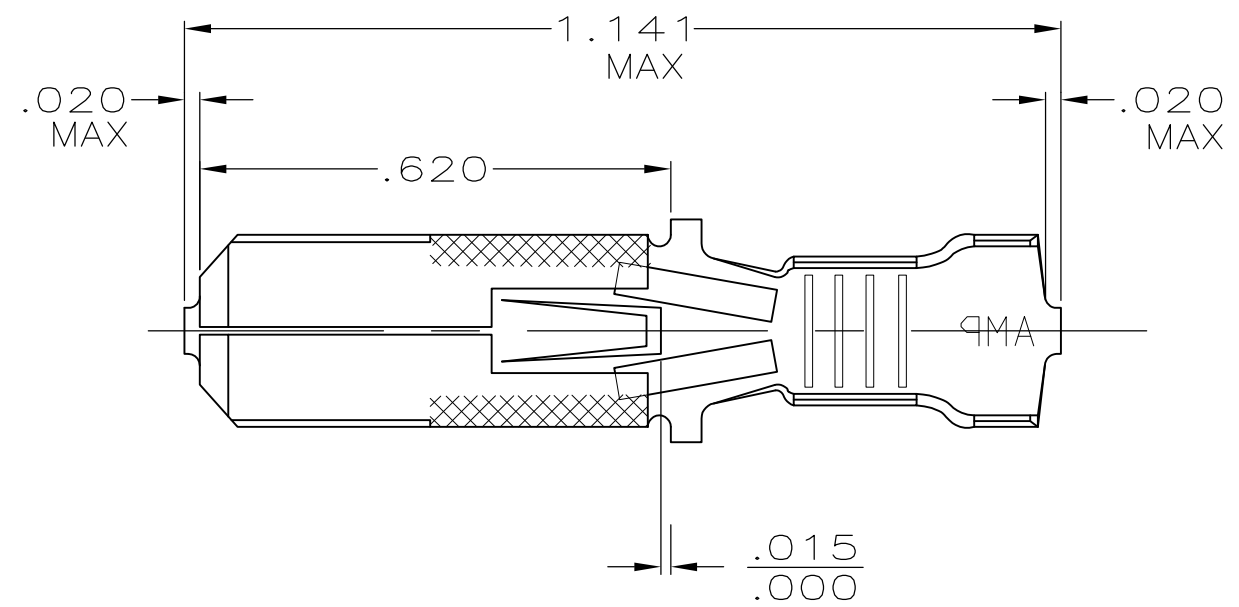
ALL RIGHTS RESERVED.

© COPYRIGHT - By -


LOC AF DIST 50

REVISIONS				DATE	DWN	APVD
P	LTR	DESCRIPTION				
	E	REVISED PER ECR-11-018063	22DEC11	KH	PD	

1 SUPPLIED IN LOOSE PIECE



60294-2	.085-.125 DIA	#22-#18 AWG	61316-1
STRIP FORM	INSULATION RANGE	WIRE SIZE	PART NO.

THIS DRAWING IS A CONTROLLED DOCUMENT.		DWN JR RUTH 3/2/93	 TE Connectivity TAB, FASTIN-FASTON, .250 SERIES	
DIMENSIONS: INCHES		CHK MS FEHER 3/2/93		
TOLERANCES UNLESS OTHERWISE SPECIFIED:		APVD J GILLESPIE 3/2/93		
0 PLC ± - 1 PLC ± - 2 PLC ± - 3 PLC ± .015 4 PLC ± - ANGLES ± -		NAME		
MATERIAL 082 BRASS		FINISH TIN	PRODUCT SPEC	RESTRICTED TO
		APPLICATION SPEC	SIZE A3	CAGE CODE 00779
		WEIGHT -	DRAWING NO C-61316	REV E
		CUSTOMER DRAWING	SCALE 4:1	SHEET 1 OF 1